

PXIe-2315/2316 Series

5-slot/6-slot PXI Express Chassis



📄 Please download JYTEK [<JYPEDIA>](#), you can quickly inquire the product prices, the key features and available accessories.

Overview

PXIe-2315/2316 series are high performance cost-effective 5-slot/6-slot all hybrid PXI/PXIe chassis. It complements JYTEK PXIe-62301 6-slot sturdy all hybrid chassis with the new mechanical design that appeals to customers who wish to lower system cost but retain the high performance.

Main Features

- High data throughput 5-slot PCIe Gen2 (PXIe-2315G2) or Gen3 PXIe chassis (PXIe-2315G3)
- High data throughput 6-slot PCIe Gen2 (PXIe-2316G2) or Gen3 PXIe chassis (PXIe-2316G3)
- High clock accuracy and low phase jitter
- Low power ripple noise
- Specially designed for cost effective PXI/PXIe applications
- Ideal for OEM vendors

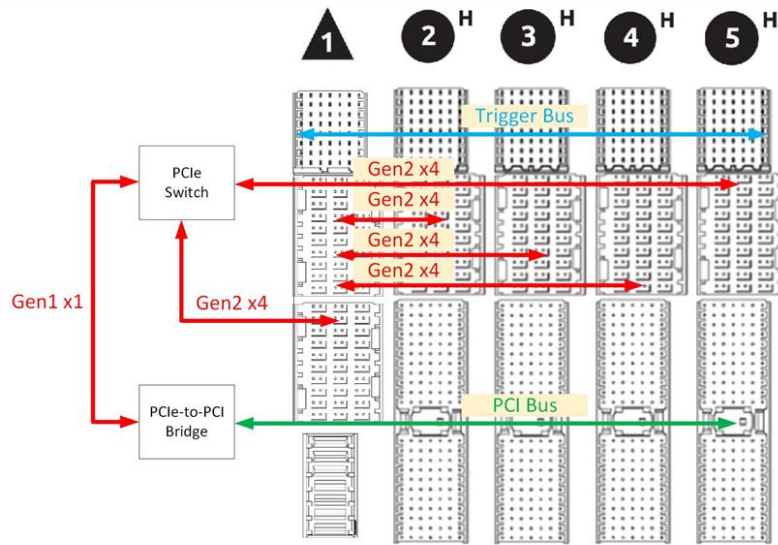
Specifications

Basic

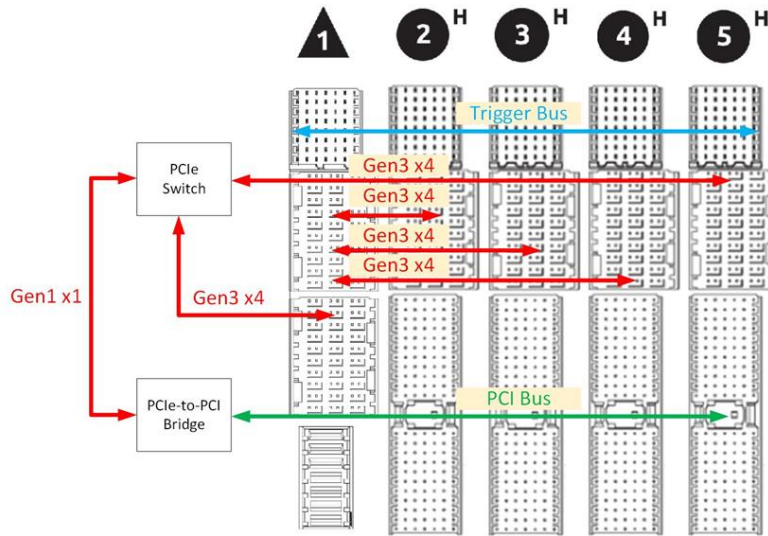
Description	PXIe-2315G3	PXIe-2315G2
PXI Chassis Type	PXI Express	PXI Express
Slot Count	5	5
Maximum system bandwidth	16 GB/s (PCIe Gen3 x 16)	8 GB/s (PCIe Gen2 x 16)
Maximum slot bandwidth	4 GB/s (PCIe Gen3 x 4)	2 GB/s (PCIe Gen2 x 4)
Chassis Power Supply Type	AC	AC
Slot Cooling Capacity	58 W (0°C ~ 40°C) 38 W (0°C ~ 50°C)	58 W (0°C ~ 40°C) 38 W (0°C ~ 50°C)
Onboard Clock Type	VCXO	VCXO
Number of hybrid slots	4	4

Description	PXIe-2316G3	PXIe-2316G2
PXI Chassis Type	PXI Express	PXI Express
Slot Count	6	6
Maximum system bandwidth	16 GB/s (PCIe Gen3 x 16)	8 GB/s (PCIe Gen2 x 16)
Maximum slot bandwidth	4 GB/s (PCIe Gen3 x 4)	2 GB/s (PCIe Gen2 x 4)
Chassis Power Supply Type	AC	AC
Slot Cooling Capacity	58 W (0°C ~ 40°C) 38 W (0°C ~ 50°C)	58 W (0°C ~ 40°C) 38 W (0°C ~ 50°C)
Onboard Clock Type	VCXO	VCXO
Number of hybrid slots	5	5

PXle-2315G2 backplane configuration Diagram



PXle-2315G3 backplane configuration Diagram



Electrical

AC Input

Total Chassis Power	472 W
Input voltage range	90 to 264 VAC
Input frequency	47~63 Hz
Input current rating	6-3 A
12V Line regulation	±50 mV
5V Line regulation	±50 mV
3.3V Line regulation	±50 mV
-12V Line regulation	±50 mV
Efficiency	80% ~ 85%

DC Output

Total Available Power	400 W
+3.3 V maximum current	20 A
+5 V maximum current	20 A
+12 V maximum current	30 A
-12 V maximum current	0.8 A
5 Vaux maximum current	3.5 A

Power Rail	Maximum Ripple Noise (20MHz BW)
+3.3 V	12 mVpp
+5 V	8 mVpp
+12 V	26 mVpp
-12 V	4 mVpp
5 Vaux	24 mVpp

System Synchronization Clock

PXI_CLK10

Maximum slot-to-slot skew	66 ps
Accuracy	±25 ppm max
Maximum jitter	3.7 ps RMS phase-jitter (10 Hz–1 MHz range)
Duty-factor	45%–55%
Unloaded signal swing	3.3 V ±0.3 V

PXIe_CLK100

Maximum slot-to-slot skew	80 ps
Accuracy	±25 ppm max
Maximum jitter	3.7 ps RMS phase-jitter (10 Hz–12 kHz range) 95 fs RMS phase-jitter (12 kHz–20 MHz range)
Duty-factor	45%–55%
Absolute differential voltage	400–1000 mV

PXle_SYNC100

Duty-factor	10%
Absolute differential voltage	400–1000 mV

Physical and Environment

Operating Environment

Maximum altitude	5000 m
Ambient temperature range	0 °C to 50 °C
Relative humidity range	20% to 80%, noncondensing

Storage Environment

Ambient temperature range	-20 °C to 80 °C
Relative humidity range	10% to 90%, noncondensing

Shock and Vibration

Operational shock	30 g peak, half-sine, 11 ms pulse duration
Random Vibration (Operating)	5 to 500 Hz, 0.21 Grms, 3 axes
Random Vibration (Nonoperating)	5 to 500 Hz, 2.46 Grms, 3 axes

Sound Pressure Level

Auto fan (up to ~30 °C ambient)	35.3 dBA
High fan	60.8 dBA

Sound Power

Auto fan (up to ~30 °C ambient)	50.0 dBA
High fan	71.4 dBA

Backplane

Size	3U
------	----

Order Information

- PXle-2315G3 (PN: JA2315002-03)
3U 5-slot PXle Gen3 chassis with all-hybrid peripheral slots and universal AC power supply
- PXle-2315G2 (PN: JA2315001-02)
3U 5-slot PXle Gen2 chassis with all-hybrid peripheral slots and universal AC power supply
- PXle-2316G3 (PN: JY1554862-01)
3U 6-slot PXle Gen3 chassis with all-hybrid peripheral slots and universal AC power supply
- PXle-2316G2 (PN: JY5504042-01)
3U 6-slot PXle Gen2 chassis with all-hybrid peripheral slots and universal AC power supply

Shanghai Jianyi Technology Co., Ltd.

Address: Room 201, Building 3, NO.300 Fangchun Road, Shanghai.

Post Code: 201203

Tel: 021-5047 5899

Website: www.jytek.com

All Rights Reserved. All specifications are subject to change without further notice.